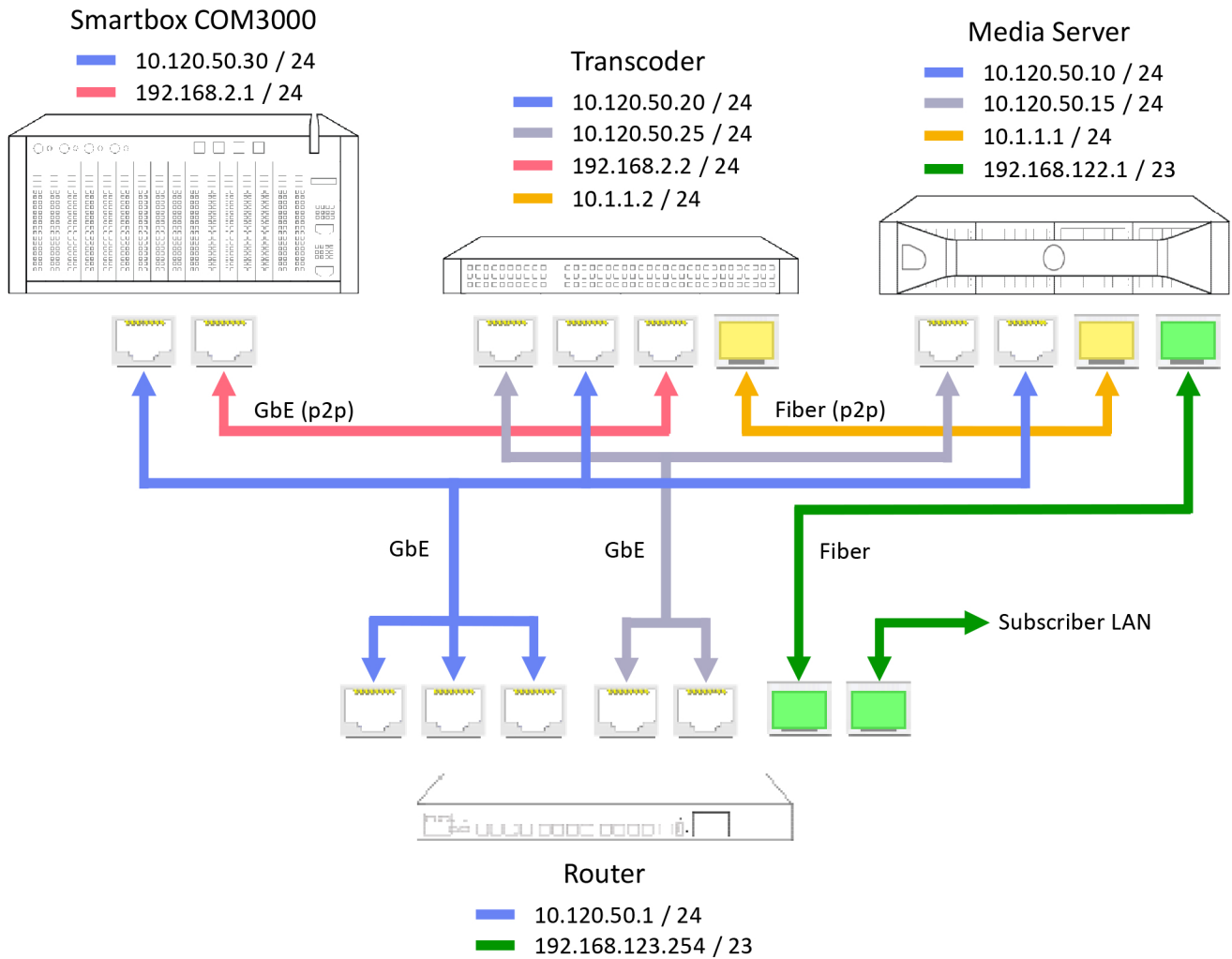


Reference Design

Subnet: 10.120.50.0/24



- Management Network
- Monitoring (IDRAC) Network
- Source Content Network
- Content Processing Network
- Subscriber Content Network

Specifications

Equipment Specifications & Requirements					
	Smartbox	Transcoder	Media Server	Router	Total
Dimensions					
Weight (lbs.)	32.77	44.53	69.45	5	151.75
Height (Inches)	8.7	1.7	8.73	1.73	20.86 /38.83
Depth (Inches)	15.8	34.87	29.75	12.4	34.87
Power					
Max Watts	800	1600	1100	125	3625
Input Voltage – Max	264	240	230	240	230
Input Voltage – Min	90	200	100	100	200
Input Current - Max Amps	9				
Thermals					
Low Operating Temp	32	50	50	0	50
High Operating Temp	122	77	95	100	95
BTU/h	235	5459	4100	37	9831

Notes:

1. Requires 8 A\C outlets
2. Continuous operation (for altitude less than 950 m or 3117 Ft.)
3. Designed to be connected to IT power systems with a phase-to-phase voltage not exceeding 230V.

IP & Port Forwarding

Device & IP Address	Port Forwarding	
	Public	internal
Router gateway (10.120.50.1)		
Smartbox Tuner (10.120.50.30)...Instance 25 (10.120.50.54)	9443	443
	9422	22
Media Server (10.120.50.10)...Instance 5 (10.120.50.14)	8581	80
	8522	22
	8543	443
Media Server IDRAC (10.120.50.15)...Instance 5 (10.120.50.19)	8680	80
	8643	443
Transcoder Server (10.120.50.20)...Instance 5 (10.120.50.24)	8122	22
	8181	4748
	8143	443
Transcoder IDRAC (10.120.50.25)...Instance 5 (10.120.50.29)	8780	80
	8743	443

Configuration Notes

1. Reference install subnet is 10.120.50.0/24
2. The LAN components must accept jumbo frames. 9000MTU. Wireless AP and clients are excluded as Wi-Fi does not support above 2354MTU
3. Depending on expected endpoints the LAN connection will require one or more 10Gig backbone connections. Sizing will be done by Streeme.
4. Public IP Address for the Streeme router to be assigned by customer
5. A router with firewall shall be provided by site or will be installed by Streeme.
6. Media Server and Transcoder have a point to point network connected by a 10G SFP. The IP subnet between devices is internal to the servers and not viewed by the rest of the network.
7. Smartbox and Transcoder have a point to point network connected by a 1G CAT6 cable. The IP subnet between devices is internal to the servers and not viewed by the rest of the network.
8. Note: Customer changes from the reference design incur customization charges.